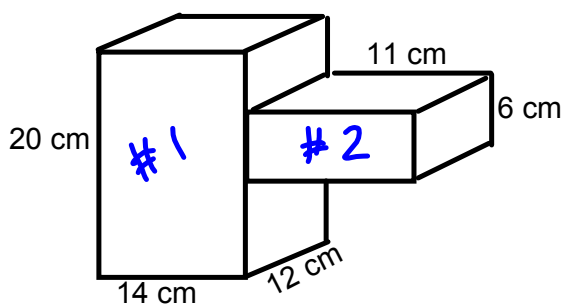


Calculate the surface area.



$$\begin{aligned}
 A_{\#1 \text{ Box}} &= 2lw + 2lh + 2wh \\
 &= 2(14)(12) + 2(14)(20) + 2(12)(20) \\
 &= 336 + 560 + 480 \\
 &= 1376 \text{ cm}^2
 \end{aligned}$$

$$\begin{aligned}
 \text{Overlap} &= (12)(6) \times 2 \\
 &= 144 \text{ cm}^2
 \end{aligned}$$

$$\begin{aligned}
 A_{\#2 \text{ Box}} &= 2(6)(11) + 2(6)(12) + 2(11)(12) \\
 &= 132 + 144 + 264 \\
 &= 540 \text{ cm}^2
 \end{aligned}$$

$$\begin{aligned}
 \text{Total Surface Area} &= 1376 + 540 - 144 \\
 &= 1772 \text{ cm}^2
 \end{aligned}$$

Page 46

15. a) 4 cubes

$$4 \times 6 = 24 \text{ cm}^2$$

$$24 - 6 \text{ overlap} = 18 \text{ cm}^2$$

Homework P. 48